


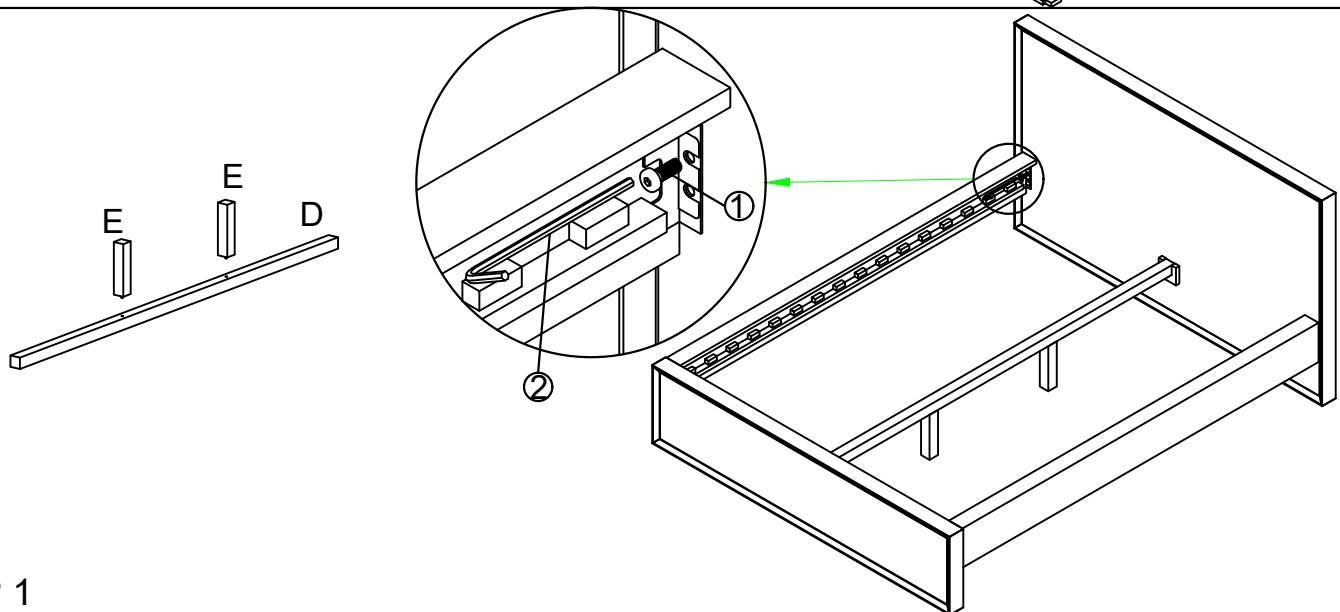
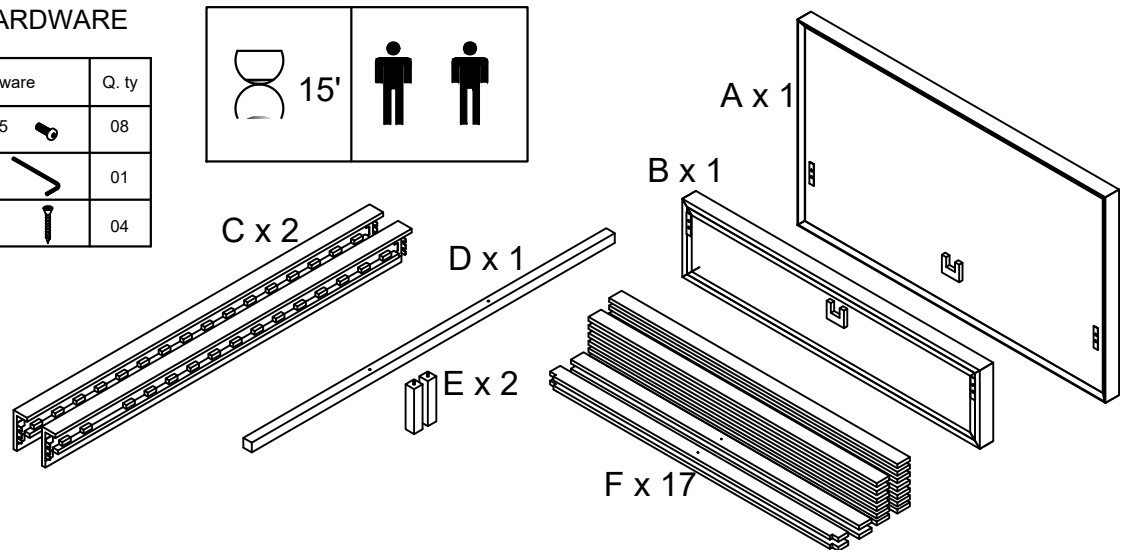
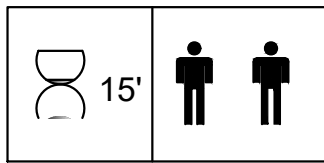


NORDIC BED

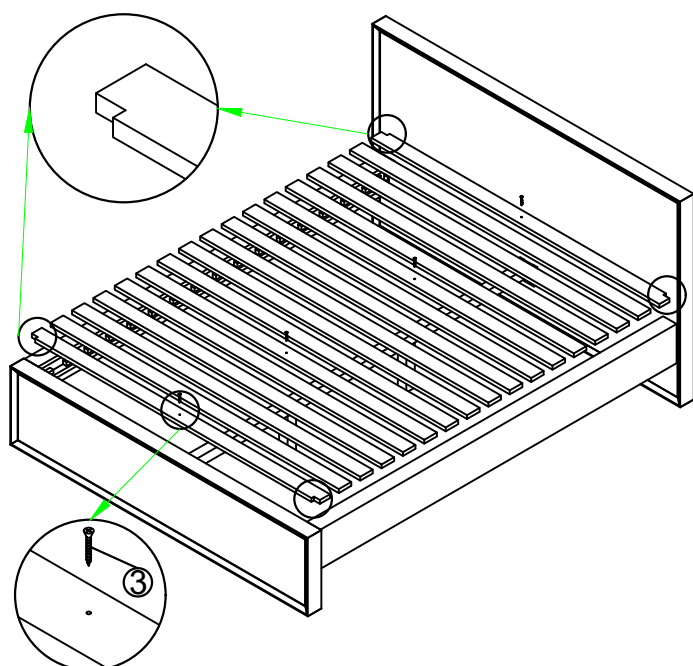
ASSEMBLY INSTRUCTIONS

LIST OF HARDWARE

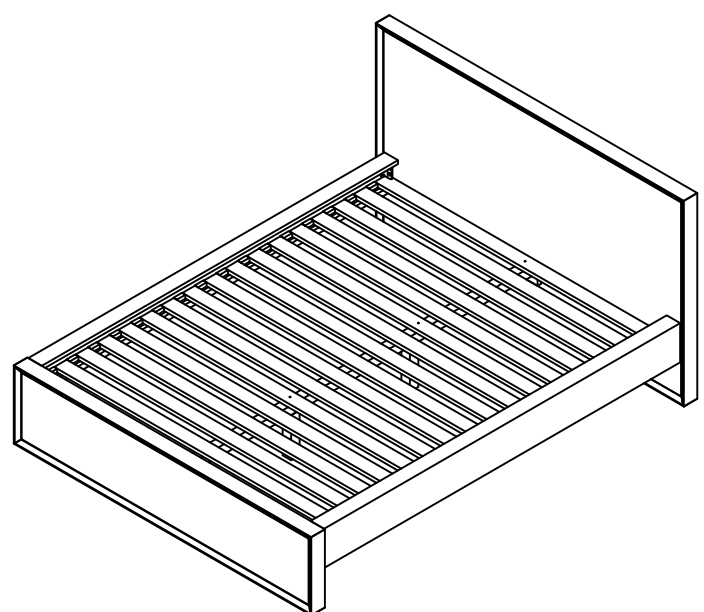
No.	Hardware	Q. ty
1	Bolts M6 x 15 	08
2	Key 4MM 	01
3	Vis 4 * 30 	04



STEP 1



STEP 2



FINNISH